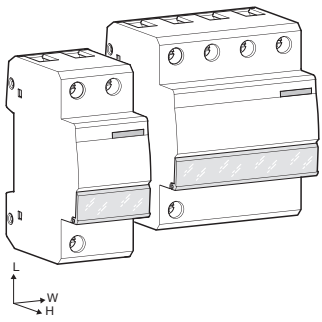


6S5060.h

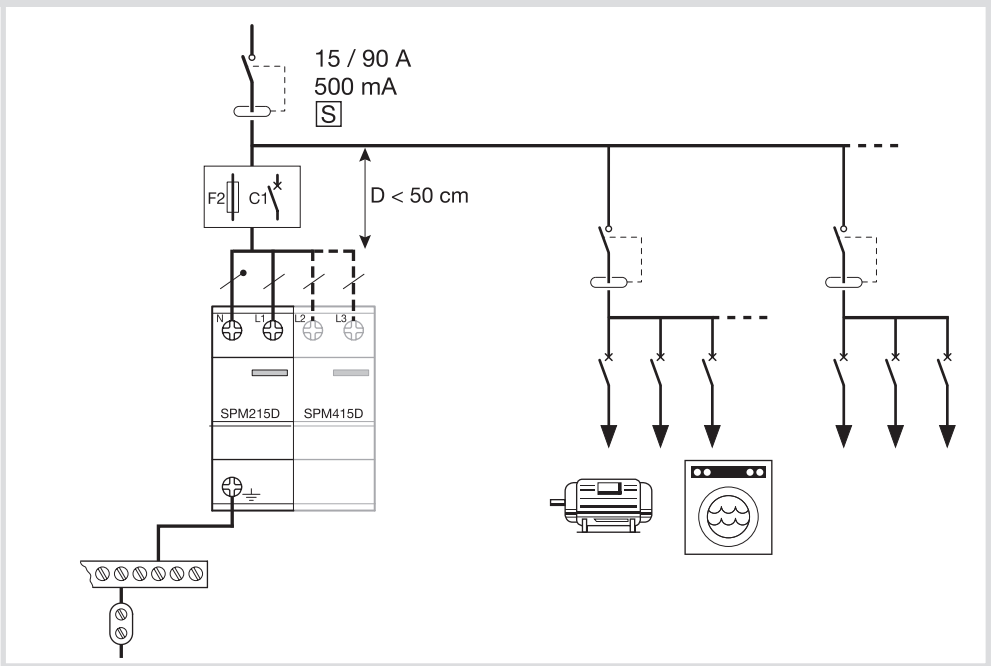


- (FR) Parafoudres
- (EN) Lightning surge arrester
- (DE) Überspannungsableiter
- (IT) Scaricatori
- (ES) Pararrayos
- (PT) Limitador de sobretensões

SPM215D, SPM415D

EN 61 643-11	Type 2
IEC 61 643-11	Class II
TT/TN	OK
U_n	230/400 V (50/60 Hz) Tolerance: 0 V... U_c
I_{pe}	< 5 μ A
I_{fi} (N-PE)	100 A _{rms}
Humidity	5%...95%
θ °C	-40/+60 °C
Ports	1
IP code	20 (built in)
LxWxH	86,5 x 35,5 x 60 mm (SPM2xxD) 86,5 x 71,5 x 60 mm (SPM4xxD)

Indoor use only - There is no distance from the SPD to any earthed conductive surface required



	PZ 2 2,5 Nm		
min. L, N, PE, \pm		2,5 mm ²	
max. L, N, PE, \pm		16 mm ²	25 mm ²

		I_n (8/20 μ s)	I_{max} (8/20 μ s)	U_p	U_c	C1 max. hager	F2 max \pm	I_{scr}
SPM215D SPM415D	L-N	5 kA	15 kA	\leq 1 kV	275 V (50/60 Hz)	32 A"C"	125 A gG	10 kA _{rms}
	N-PE	20 kA	40 kA	\leq 1,5 kV	255 V (50/60 Hz)			-

2P

4P

Backup fuse/Vorsicherung

Type	SPMxxxD
F1	F1 > 125 AgG ↓ F2 \leq 125 AgG
F2	F1 \leq 125 AgG ↓
A	min. 6mm ² Cu

Type	SPMxxxD		
F1 A/gG	S ₂ mm ²	S ₃ mm ²	F2 A/gG
25	4	6	-
35	4	6	-
40	4	6	-
50	6	6	-
63	10	10	-
80	10	10	-
100	16	16	-
125	16	16	-
> 160	25	25	125

Fault indication

SPM215D, SPM415D

